

## HYDROGEN ASSIST DEVELOPMENT

TRANSFORMING ENGINES OF YESTERDAY INTO THE *HYBRIDS* OF TOMORROW

LESS TIME AT THE PUMP  
MORE MONEY IN YOUR WALLET

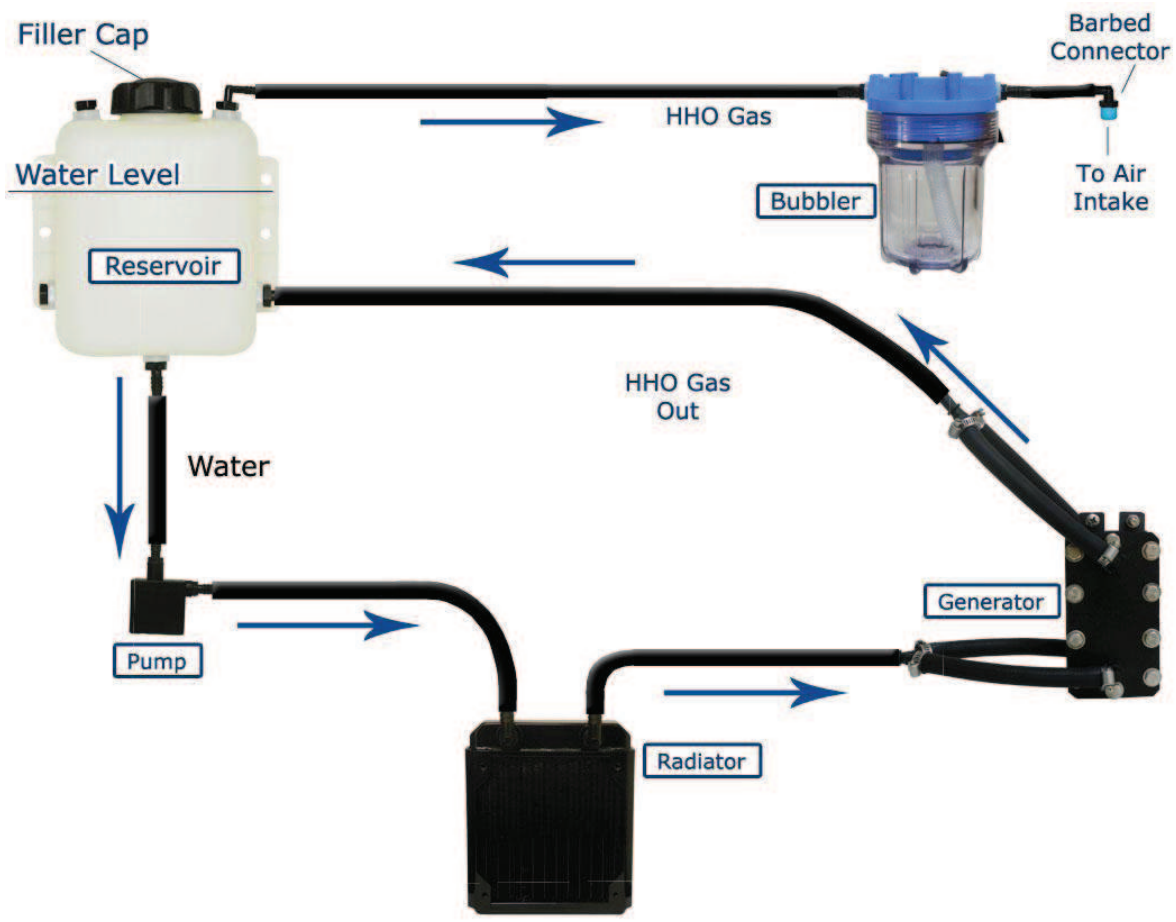
SAVE UP TO **40%** ON FUEL



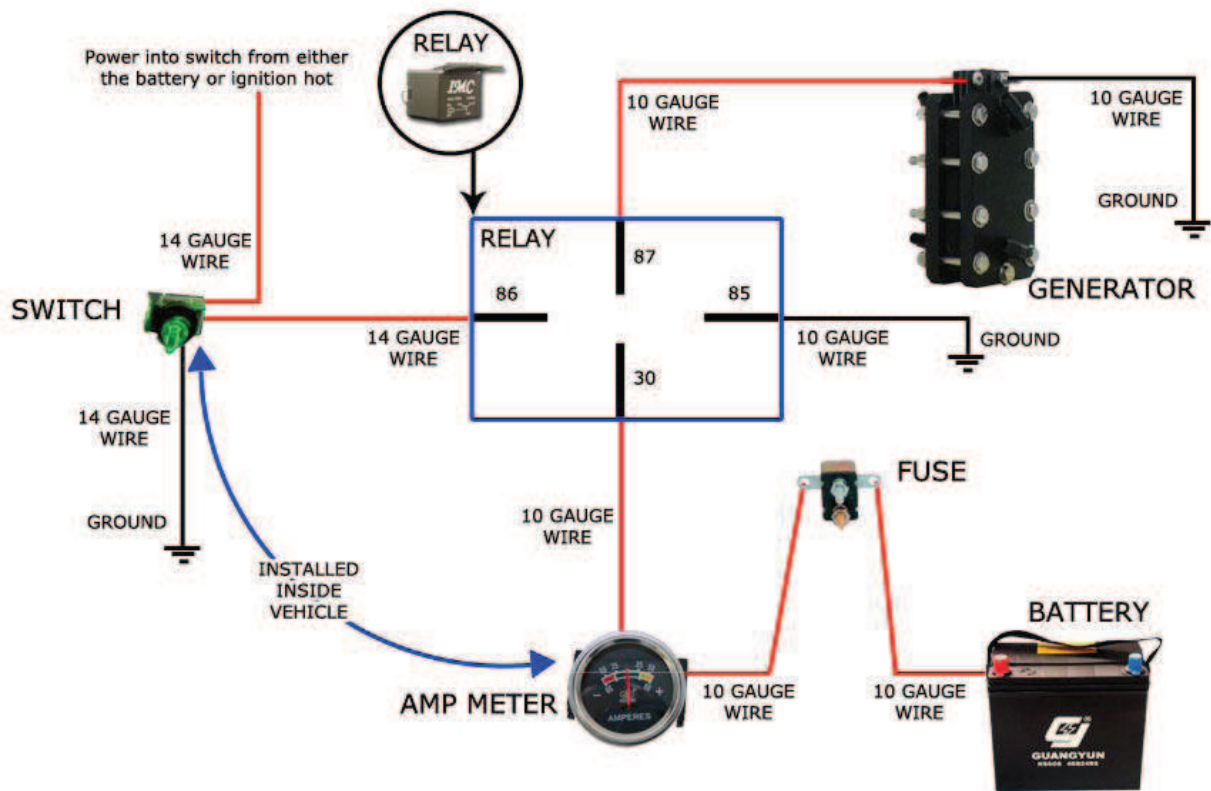
# Hydrogen Assist Development

## Installation Guide

*Extreme 180 Series HHO Dry Cell Kits*



Hose Connection Diagram



Wiring Diagram