

Euro C 23 T

Technical Data*

Aerial Work Platform **TEUPEN[®] hyLIFT[®]**



Euro C 23 T

Working height:	approx. 23,00 m
Cage floor height:	approx. 21,20 m
Safe load on working cage:	max. 200 kgs
Lateral outreach at 200 kgs:	approx. 13,00 m
at 80 kgs:	approx. 14,50 m
Range of rotation:	approx. 450°
Range of rotation of articulated top boom:	approx. 180°
Working cage rot. hydr. around:	180°
Size of working cage (LxWxH):	1,2 x 0,8 x 1,1 m
Jacked width:	jacks within the vehicle width
Drive:	by means of truck p. t. o.
Power track:	installed inside
Double socket in the working cage:	230 V

Special Outfit:

Plastic tool box (l x w x h):	0,6 x 0,5 x 0,46 m
Aluminium sidewalls (l x h):	max. 3,0 m x 0,2 m
Drive for the superstructure:	400 V

Technical data for mounting on carrier chassis

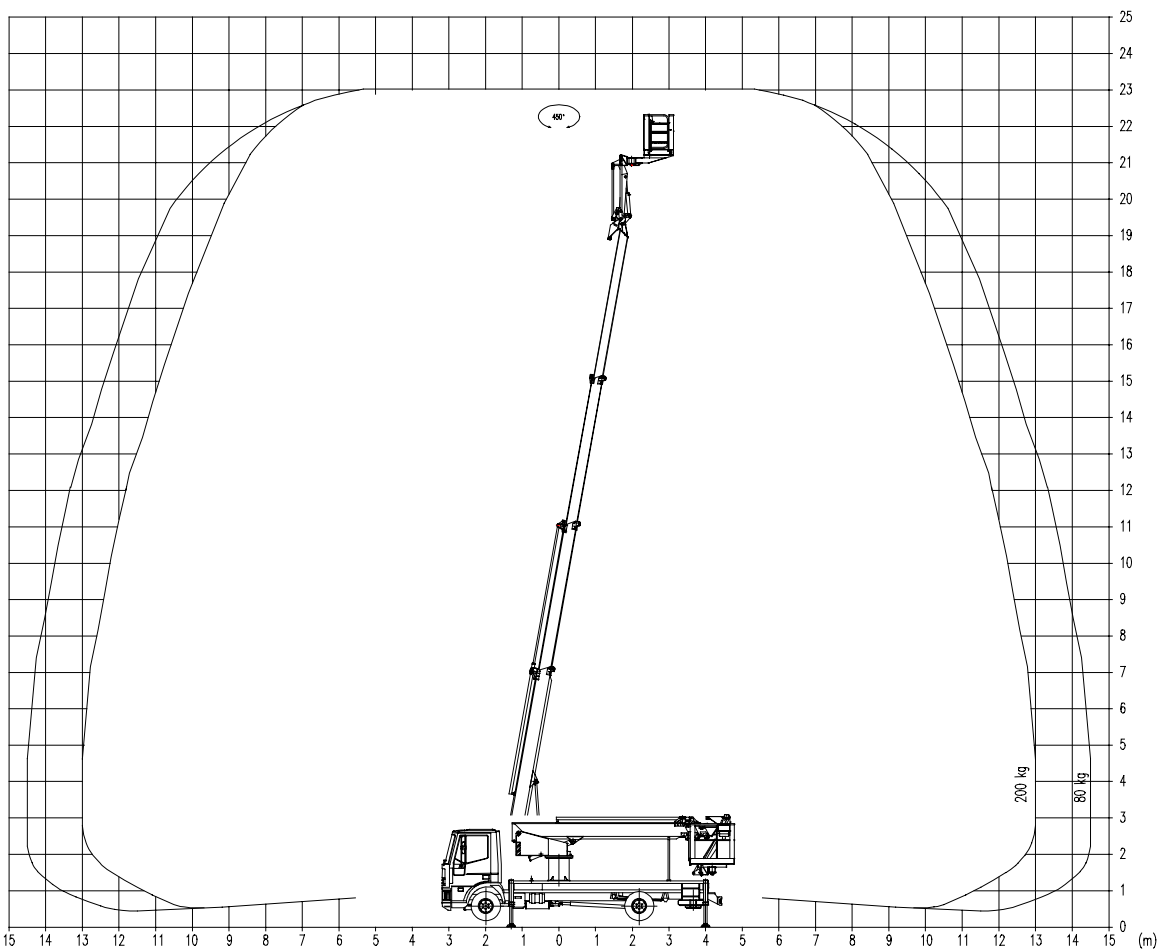
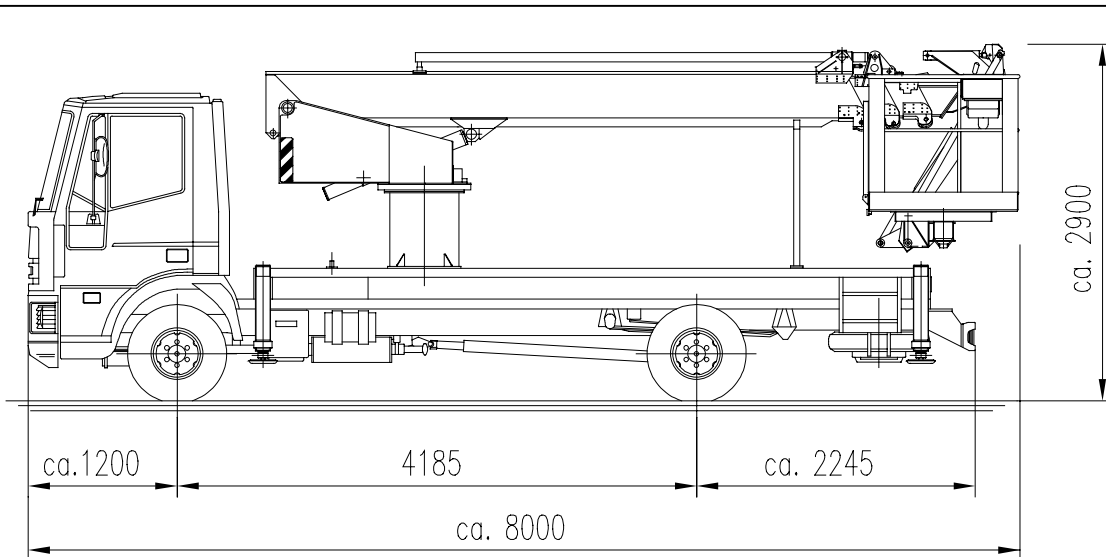
Dimensions

Length of vehicle:	approx. 8000 mm
Height of vehicle:	approx. 2900 mm
Wheelbase:	4185 mm
Permissible total weight:	7490 kgs

*Technical data with standard equipment!

Alteration in construction reserved!

As at 04.02



Alteration in construction reserved!

TEUPEN Maschinenbaugesellschaft mbH

Address: Marie-Curie-Strasse 13 - 48599 Gronau-GERMANY - Phone ++49 / 2562 / 8161-0 - Fax ++49 / 2562 / 8161-888
 P. O. Box: 1951 - 48580 Gronau-GERMANY

Internet: <http://www.teupen.info> - E-mail: mail@teupen.info